

AgieCharmilles wire EDM's + System 3R tooling

Ledger for

EconoRulers



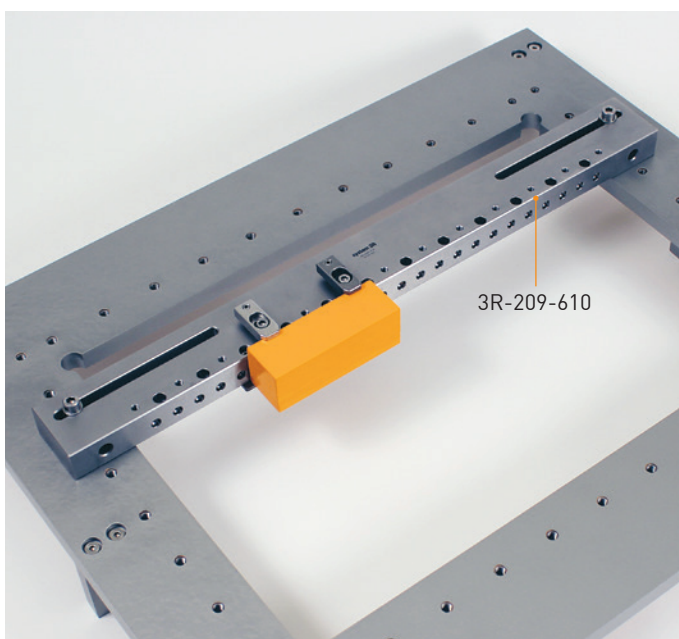
## AgieCharmilles

EconoRulers are supplied by kits. For more info, look for the various TPS-sheets covering the various 3R-209-xxx kits and accessories. The EconoRulers come by four different lengths: L=350, 610, 860 and 960 mm.

Model								
	c-c X	Table X	3R-209-xxx	Overhang X*	c-c Y	Table Y	3R-209-xxx	Overhang Y*
CUT 20P	420	700	610	-45	320	480	350	-65
CUT 30P (yr 2012-)	670	950	860	-45	470	630	610	-10
CUT 200 (yr 2012-)	420	680	610	-35	290	450	350	-50
CUT 200 Bp	420	680	610	-35	290	450	350	-50
CUT 200 C / P	420	680	610	-35	290	450	350	-50
CUT 200 mS / Sp	420	680	610	-35	290	450	350	-50
CUT 300 (yr 2012-)	620	900	860	-20	420	600	610	5
CUT 300 mS / Sp	620	900	860	-20	420	600	610	5
CUT 400 (yr 2012-)	870	1240	960	-140	620	800	860	30
CUT 400 Sp	870	1240	960	-140	620	800	860	30
CUT 1000 (yr 2000-)	319	550	350	-100	259	340	350	5
CUT 2000 / S / X (yr 2011-)	469	700	610	-45	369	450	610	80
CUT 3000 / S / X (yr 2011-)	619	850	860	5	469	550	610	30
CUT C 350	420	700	610	-45	320	480	350	-65
CUT C 600	670	950	860	-45	470	630	610	-10
CUT E 350	420	700	610	-45	320	480	350	-65
CUT E 600	670	950	860	-45	470	630	610	-10
CUT P 350	420	680	610	-35	290	450	350	-50
CUT P 550	620	900	860	-20	420	600	610	5
CUT P 800	870	1240	960	-140	620	800	860	30
CUT P 800 L Flushing	870	1240	960	-140	620	800	860	30
CUT P 1250	1320	1962	N.a.	N.a.	920	1320	960	-180
CUT X 350	469	700	610	-45	369	450	610	80
CUT X 500	619	850	860	5	469	550	610	30

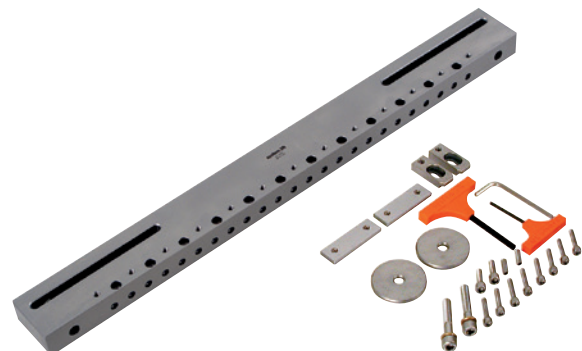
\* Overhang means a stick-out of EconoRuler that may collide with tankwall (only valid if value is positive and box is colored orange). In order to solve this risk of collision, it may require the EconoRuler to be cut off.

\*\* Dedicated bolt-slots will not match threaded hole-pattern. In order to secure EconoRuler, it requires the use of 3R-A209.



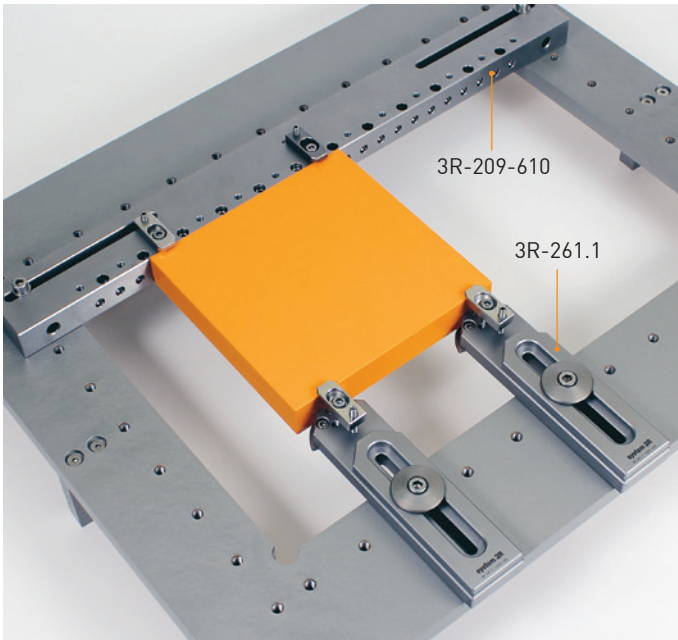
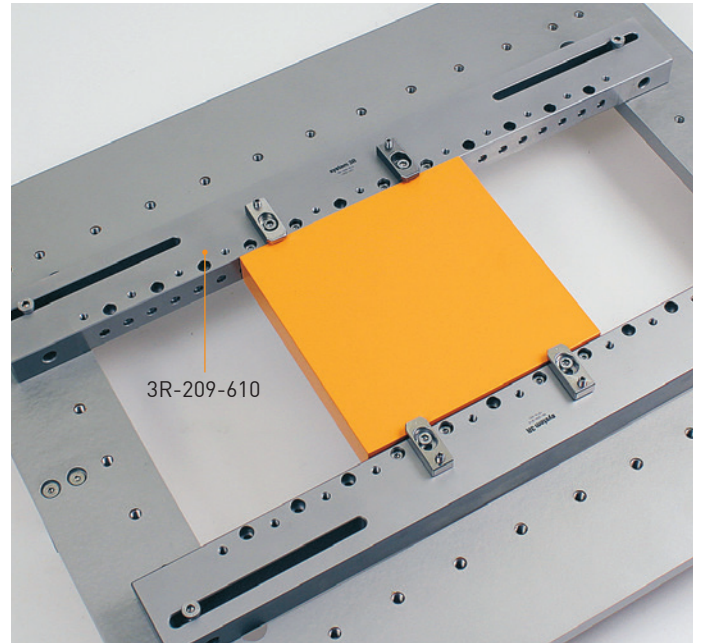
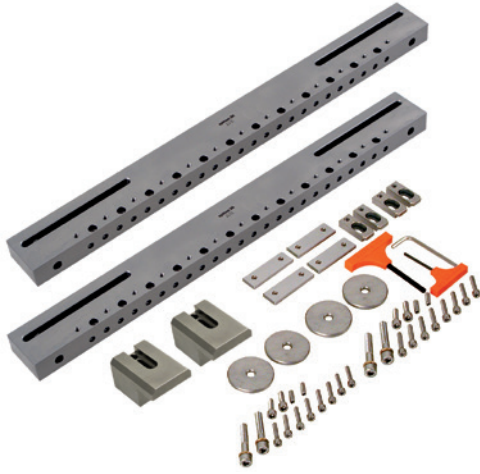
### EconoRuler kit, 3R-209-XXX.1

Note: There are four different kits to choose between. 350 mm, 610 mm, 860 mm or 960 mm EconoRuler length.



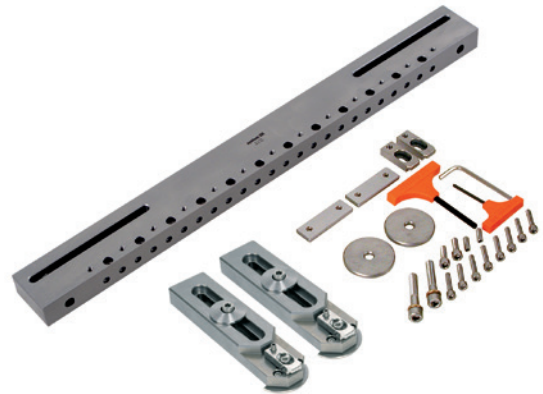
### EconoRuler kit, 3R-209-XXX.2

Note: There are four different kits to choose between.  
350 mm, 610 mm, 860 mm or 960 mm EconoRuler length.



### EconoRuler kit, 3R-209-XXX.3

Note: There are four different kits to choose between.  
350 mm, 610 mm, 860 mm or 960 mm EconoRuler length.



### EconoRuler kit, 3R-209-XXX.4

Note: There are four different kits to choose between.  
350 mm, 610 mm, 860 mm or 960 mm EconoRuler length.

